

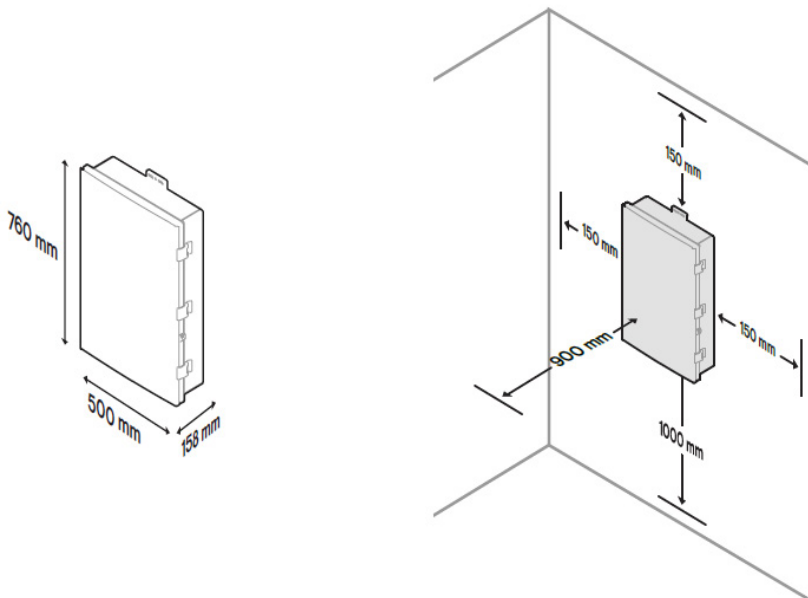


IQ System Controller 3 INT

The IQ System Controller 3 INT connects the home to grid power, the IQ Battery storage system, and solar PV. It provides microgrid interconnect device (MID) functionality by automatically detecting and seamlessly transitioning the home energy system from grid power to backup power in the event of a grid failure. It consolidates interconnection equipment and communication gateway into a single enclosure and streamlines grid independent capabilities of PV and storage installations by providing a consistent, pre-wired solution for residential applications.

Mounting IQ System Controller 3 INT

Must be installed with clearance at the left, right, top, bottom, and front of the product



10-year limited warranty

Reliable

- Durable IP55 enclosure
- Ten-year limited warranty

Smart

- Controls safe connectivity to the grid
- Automatically detects grid outages
- Provides seamless transition to backup
- Wired Controls

Simple

- Supports single phase and three phase configurations for solar and grid
- Supports conduit entry from the bottom, rear, left, and right
- Supports IQ7 and S Series Microinverters
- Supports main circuit breaker up to 80 A

IQ System Controller 3 INT

MODEL NUMBER		
SC100G-M230ROW	IQ System Controller 3 INT, microgrid interconnect device (MID), production and consumption CTs, IQ Gateway, and Communication Kit. Streamlines grid-independent capabilities of PV and storage installations.	
ACCESSORIES AND REPLACEMENT PARTS ¹		
SC-IQG-PCBA-ROW	IQ Gateway printed circuit board for field replacement	
SC-ECB-PCBA-ROW	IQ System Controller 3 INT printed circuit board for field replacement	
SC-PRB-PCBA-ROW	Power relay board sub assembly for field replacement	
SC-IOB-PCBA-ROW	Field Interface board with dry contacts for field replacement	
SC-MRA-SUB-ROW	Mains relay sub assembly for field replacement	
CTRL-040-HDR-INT	Enphase CTRL headers for connecting between CTRL devices	
CT-100-SOLID-ROW	100 A solid core current transformer with 1% accuracy for production and consumption monitoring	
CT-100-SPLIT-ROW	100 A split core current transformer with 1% accuracy and reduced form factor for consumption monitoring	
Circuit breakers (as needed)	DIN rail mounted. Not included, must order separately. Refer to Quick Install Guide for recommended brands	
SC-COV-SUB-ROW	Door sub assembly along with solar shield for field replacement	
SC-LAT-SUB-ROW	Door latches for field replacement	
ELECTRICAL SPECIFICATIONS		
Assembly rating	Continuous operation at 100% of its rating	
AC voltage (nominal)	230 V (Line-to-Neutral) 400 V (Line-to-Line)	
Feed-in type	Single-phase, three-phase	
Voltage measurement accuracy	±1.8 VAC	
Overvoltage category	Category IV	
Maximum input short circuit current	5 kA	
Auxiliary contact for load control and excess PV control	230 VAC RMS/24V DC, 1 A	
Nominal frequency/range	50 Hz	
Maximum continuous current rating	80 A per phase	
Maximum input overcurrent protection device	80 A per phase, neutral	
Maximum output overcurrent protection device	80 A per phase	
Maximum overcurrent protection device rating for PV	25 A per branch circuit for PV	
Maximum overcurrent protection device rating for storage	80 A (20 A over current protection for each IQ Battery 5, up to four IQ Battery 5 can be daisy chained)	
Backup operation	Single-phase	
Operation modes	Support for solar self-consumption, time-based control, and backup	
COMPLIANCE		
Safety	IEC-62109-1, AS/NZS IEC 61439-1, IEC 61439-3,	
EMC and radio equipment	RCM, IEC 61000-6-1, IEC 61000-6-3, EN 55024, EN 300 328, EN 300 440, EN 301 489-1, EN 301 489-17, EN 301 489-52, EN 301 511, EN 301 893, EN 301 908-1	
Performance	IEC 62503-22, AS/NZS4777.2:2020 + A1	
WIRE SIZES		
Connections (all lugs are rated to 90°C)	Main lugs and backup load lugs	Cu: 2.5 mm ² to 35 mm ²
	Neutral and ground bars	
	Large holes	2.5 mm ² to 35 mm ²
	Small holes	2.5 mm ² to 16 mm ²

1. Will be available in Q3'2023

MECHANICAL DATA	
Dimensions (WxHxD)	500 mm x 760 mm x 158 mm
Weight	15.2 kg
Circuit breaker space (DIN rail)	DER side: Space for 10 single pole breakers Mains and backup side: Space for 9 single pole breakers
Mounting options	Wall-mount
Ambient temperature range	-40°C to 50°C
Operating humidity (RH)	Up to 100%, condensing
Cooling	Natural convection, solar shield
Enclosure environmental rating	Outdoor, IP55, polycarbonate construction
Altitude	Up to 2,000 m
WARRANTY	
Limited warranty (restrictions apply)	Up to 10 years

Manufacturer:
 Enphase Energy Inc., 47281 Bayside Pkwy.,
 FREMONT, CA, 94538,
 THE UNITED STATES of AMERICA
 PH: +1 707-763-4784

Importer:
 Enphase Energy Aust.
 Pty/Ltd., 88 Market St.,
 South Melbourne VIC 3205.
 PH: +61 3 86691679

Assembled in China

IQSC-ROW-DS-0104-EN-AU-2023-02-28